

# STANDARD WALK IN RANGE CR13

NO MAINTENANCE & COST-EFFECTIVE

LIKE OUR SMALLER STANDARD DOUBLE DOOR RANGE, ALL OUR WALK IN RANGE HAVE LARGE DOUBLE DOORS. MOULDED IN GLASS REINFORCED PLASTIC (GRP) COMPOSITE USING SELF-EXTINGUISHING, FIRE RETARDANT RESIN, TESTED TO BS476: PART 7, CLASS 2.

OUR WALK IN RANGE HAS AN OPEN BASE WITH A 100MM REINFORCED INTEGRAL BASE FLANGE FOR BOLTING TO THE PREFORMED CONCRETE BASE.

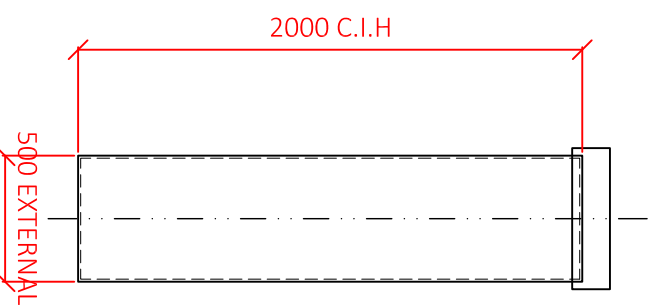
## OFFERED AS STANDARD:

- CYLINDER NIGHT LATCH LOCK OR STAINLESS STEEL HASP & STAPLE FOR YOUR OWN PADLOCK.
- OTHER LOCKS ARE AVAILABLE ON REQUEST.
- 316 STAINLESS STEEL HINGES.
- 18MM WBP TREATED HARDWOOD PLYWOOD MOUNTING BACKBOARDS.
- 90° HOLD OPEN DOOR STAYS ON EACH DOOR.
- SPRING TOWER BOLTS FOR RETAINING THE SECONDARY DOOR LEAF IN ITS CLOSED POSITION.

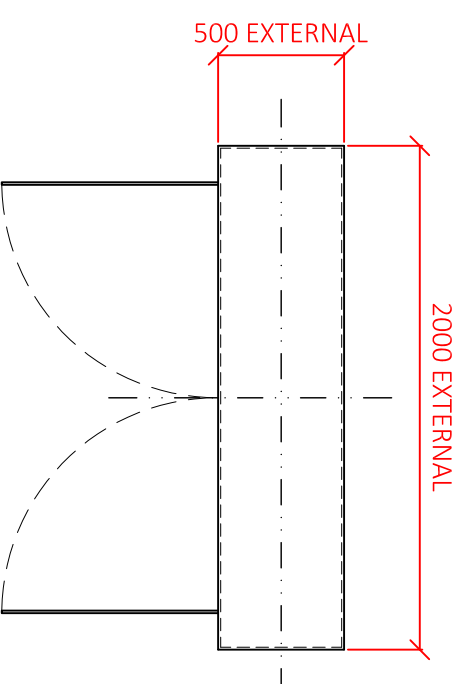
LIFTING BRACKETS ARE FITTED FOR POSITIONING ONTO CONCRETE BASE. DOUBLE DOORS ARE REINFORCED TO PROVIDE A HIGH LEVEL OF SECURITY AND ARE DUST AND WEATHER PROOFED TO IP54.

CABINETS HAVE A SEMI-GLOSS SURFACE AND STANDARD COLOURS ARE FROM THE BS4800 RANGE: GREEN (14-C-39) AND GREY (10-A-07).

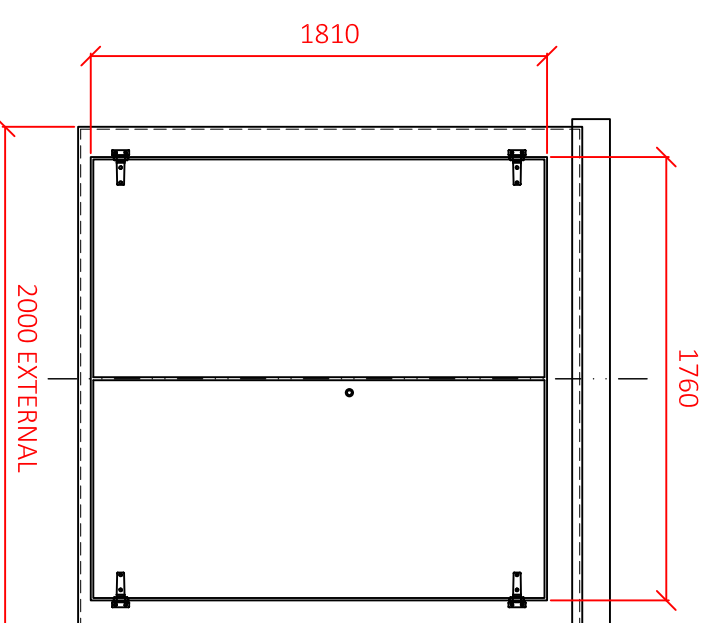
ADDITIONAL COLOURS ARE AVAILABLE UPON REQUEST FROM THE BS4800 AND RAL RANGE.



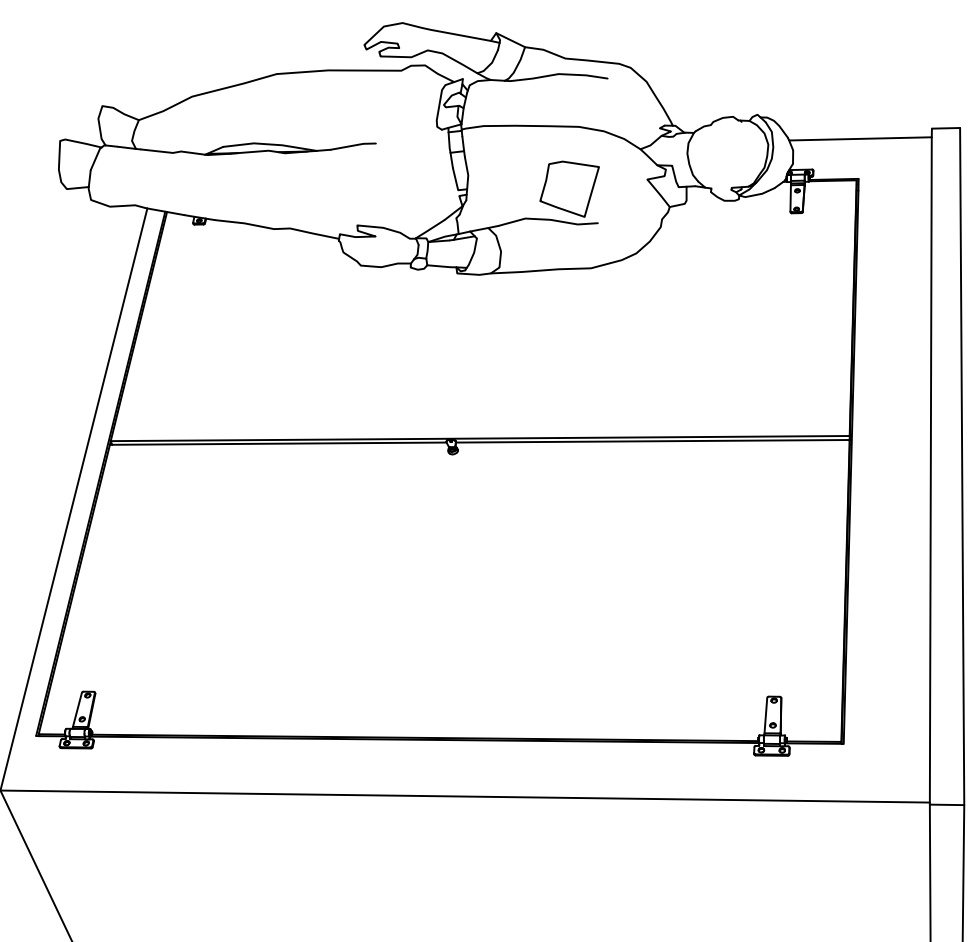
EXTERNAL SIDE VIEW



EXTERNAL PLAN VIEW



EXTERNAL FRONT VIEW



**CELTIC  
COMPOSITES  
LIMITED**

Unit 5 Caerbont Enterprise Park, Abercrave, Swansea, SA9 1SW  
t: 01639 730534 | e: sales@celticcomposites.co.uk | w: www.celticcomposites.co.uk