

STANDARD DOUBLE DOOR RANGE CR8

DURABLE & SECURE

ALL OUR STANDARD GRP DOUBLE DOOR RANGE HAVE BEEN DESIGNED WITH THE END USER IN MIND. THE RANGE HAS LARGE DOUBLE DOORS MAKING THEM EASILY ACCESSIBLE FOR THE FITTING OUT OF YOUR VALUABLE EQUIPMENT INSIDE.

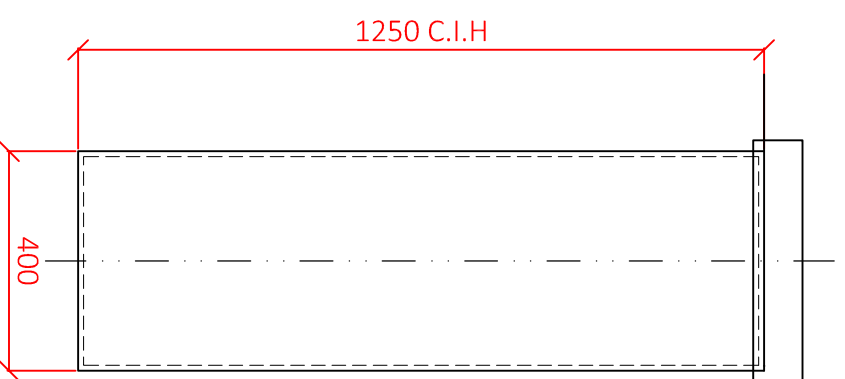
MOULDED IN GLASS REINFORCED PLASTIC (GRP) COMPOSITE USING SELF-EXTINGUISHING, FIRE RETARDANT RESIN, TESTED TO BS476: PART 7, CLASS 2. COMPLETE WITH OPEN BASE WITH A 100MM REINFORCED INTEGRAL BASE FLANGE FOR BOLTING TO THE PREFORMED CONCRETE BASE.

OFFERED AS STANDARD:

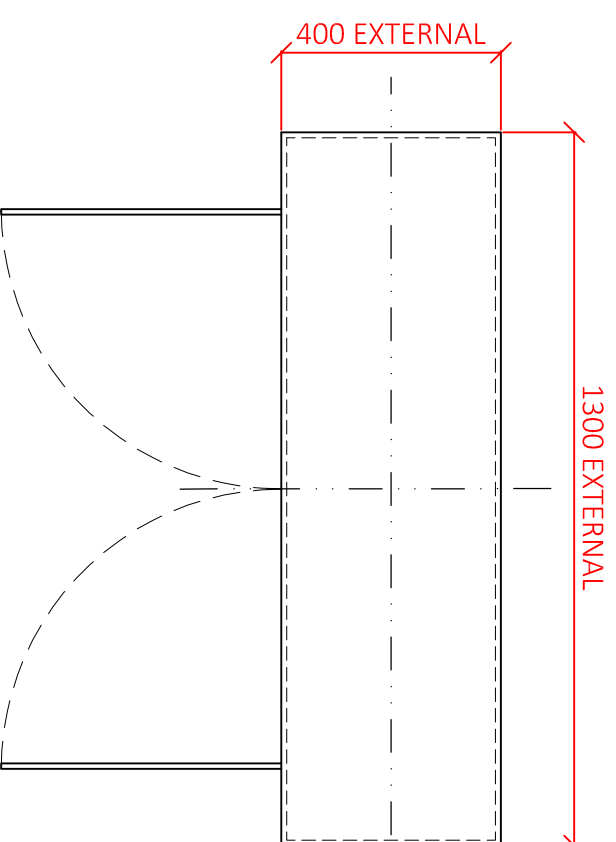
- CYLINDER NIGHT LATCH LOCK OR STAINLESS STEEL HASP & STAPLE FOR YOUR OWN PADLOCK.
- OTHER LOCKS ARE AVAILABLE ON REQUEST.
- 316 STAINLESS STEEL HINGES.
- DOUBLE DOORS ARE REINFORCED TO PROVIDE A HIGH LEVEL OF SECURITY AND ARE DUST AND WEATHER PROOFED TO IP54.
- SPRING TOWER BOLTS FOR RETAINING THE SECONDARY DOOR LEAF IN ITS CLOSED POSITION.
- 18MM WBP TREATED HARDWOOD PLYWOOD MOUNTING BACKBOARDS.

CABINETS HAVE A SEMI-GLOSS SURFACE AND STANDARD COLOURS ARE FROM THE BS4800 RANGE: GREEN (14-C-39) AND GREY (10-A-07).

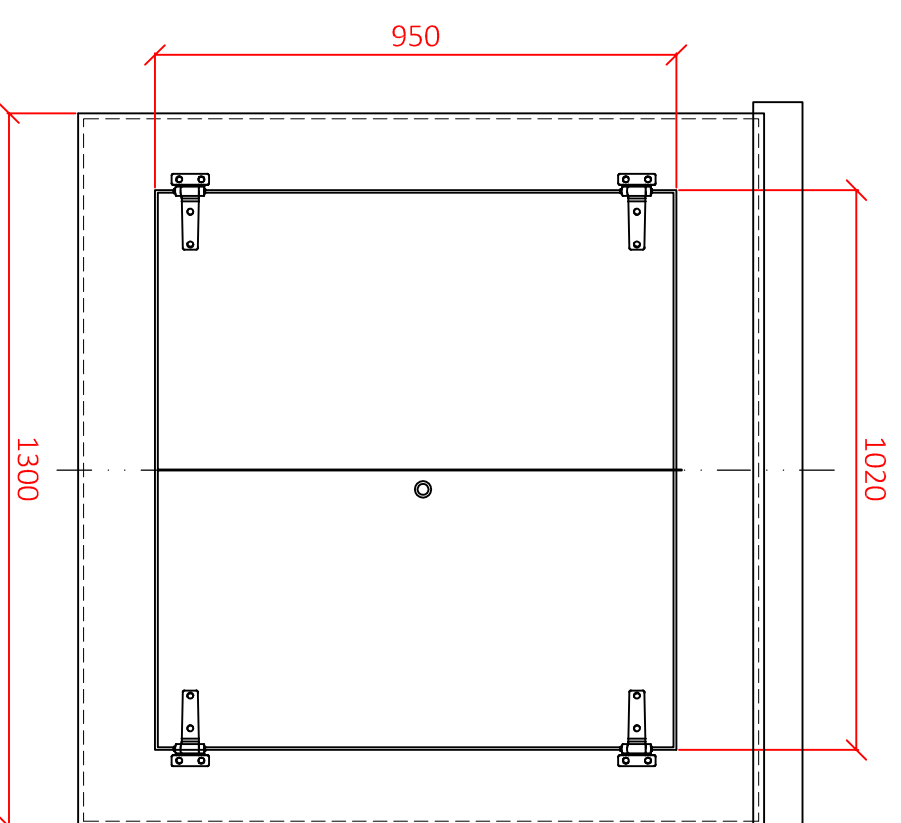
ADDITIONAL COLOURS ARE AVAILABLE UPON REQUEST FROM THE BS4800 AND RAL RANGE.



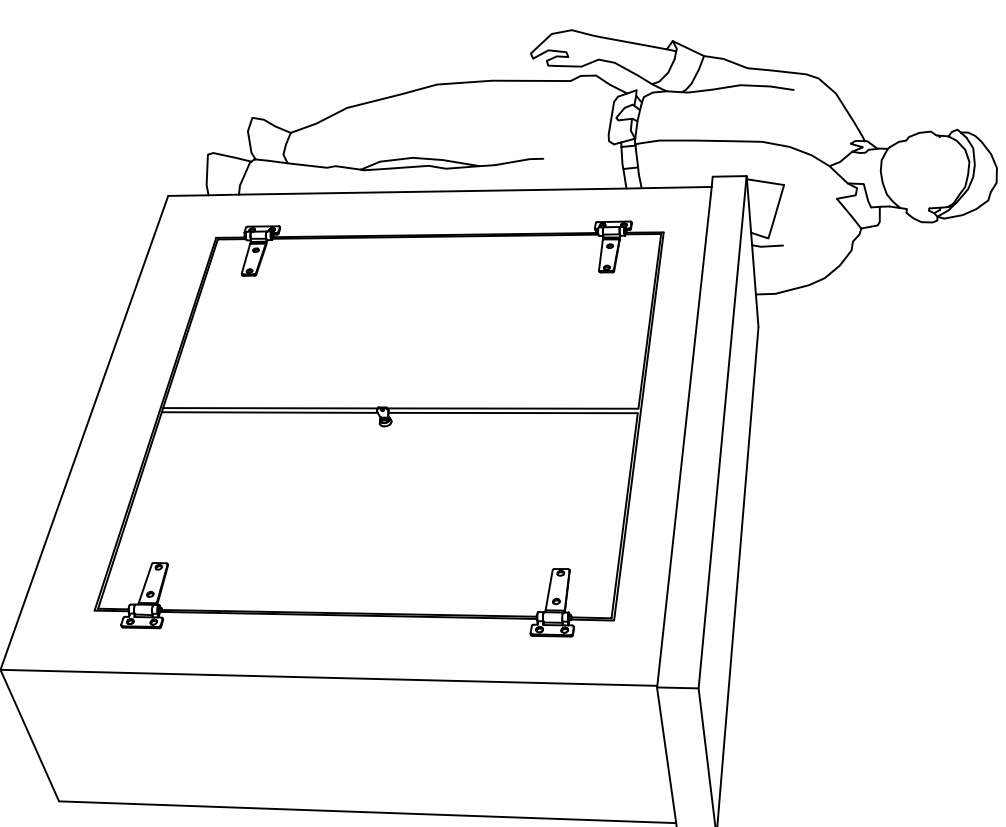
EXTERNAL SIDE VIEW



EXTERNAL PLAN VIEW



EXTERNAL FRONT VIEW



CELTIC COMPOSITES LIMITED

Unit 5 Caerbont Enterprise Park, Abercrave, Swansea, SA9 1SW
t: 01639 730534 | e: sales@celticcomposites.co.uk | w: www.celticcomposites.co.uk